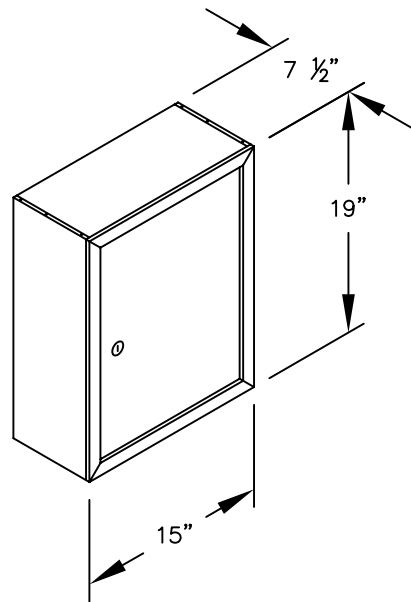
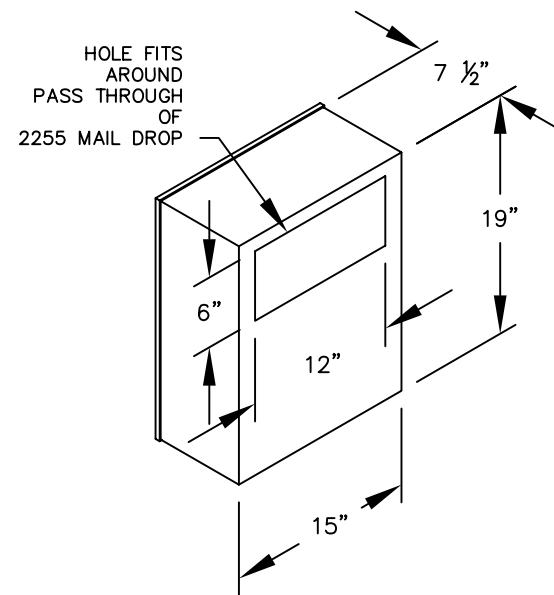


FRONT VIEW



REAR VIEW



2256 – MAIL RECEPACLE

MODEL #2256
MAIL RECEPACLE

AVAILABLE COLORS:
ALUMINUM, BRONZE, SANDSTONE

DRAWN: 8/2020

Established in 1936, Salsbury Industries is the industry leader in manufacturing and distributing quality mailboxes.

18300 CENTRAL AVENUE
CARSON, CA 90746-4008

PHONE: (800) 624-5269
FAX: (800) 624-5299

email: engineering@mailboxes.com